

Range model MKM

Technical data

10000011890-DOC-000-08



The cooking zones measures 30x30cm and has 3kW (4kW by 440V).



Table of contents

Range model MKM	1
Table of contents	2
Technical data	3
Electric	3
3~230V+PE, 50/60Hz	3
3~400V+PE, 50/60Hz	3
3~440V+PE, 50/60Hz	3
Ventilation	3
3~230V+PE / 3~400V+PE, 50/60Hz	3
3~440V+PE, 50/60Hz	4
Ingress protection class	4
Dimensions of the product	5
MKM 1	5
MKM 1, 300mm	6
MKM 2	7
MKM 2, 300mm	8
MKM 3	9
MKM 3, 300mm	10
Additional equipment	11
Fiddles	11
Hand rail	11
Side shelf	12
Fixing to the floor	12
Dimensions for installation	13
MKM 1	13
MKM 2	14
MKM 3	15

Technical data

Electric

In the users manual there is important information regarding supply and connections.

3~230V+PE, 50/60Hz

Type	Zones	Power [kW]	Current consumption [A]
MKM 1	2 x 300x300mm	6	13/13/23
MKM 2	4 x 300x300mm	12	23/35/35
MKM 3	6 x 300x300mm	18	46/46/46

3~400V+PE, 50/60Hz

Type	Zones	Power [kW]	Current consumption [A]
MKM 1	2 x 300x300mm	6	13/8/8
MKM 2	4 x 300x300mm	12	20/20/13
MKM 3	6 x 300x300mm	18	26/26/26

3~440V+PE, 50/60Hz

Type	Zones	Power [kW]	Current consumption [A]
MKM 1	2 x 300x300mm	8	9/16/9
MKM 2	4 x 300x300mm	16	24/24/16
MKM 3	6 x 300x300mm	24	32/32/32

Ventilation

3~230V+PE / 3~400V+PE, 50/60Hz

Type	Sensible [W]	Latent [W]	Steam [kg/h]
MKM 1	1200	480	0,7
MKM 2	2400	960	1,4
MKM 3	3600	1440	2,1



3~440V+PE, 50/60Hz

Type	Sensible [W]	Latent [W]	Steam [kg/h]
MKM 1	1600	640	0,9
MKM 2	3200	1280	1,9
MKM 3	4800	1920	2,8

The data is based on the German standard VDI 2052 for dimensioning of ventilation facilities.

The values are based on experience with an average product and a normal usage, and the actual demand varies by the efficiency of the appliance, the control and the way of use.

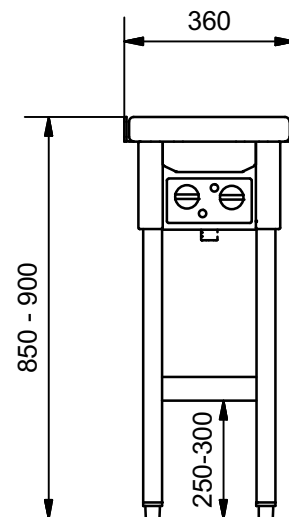
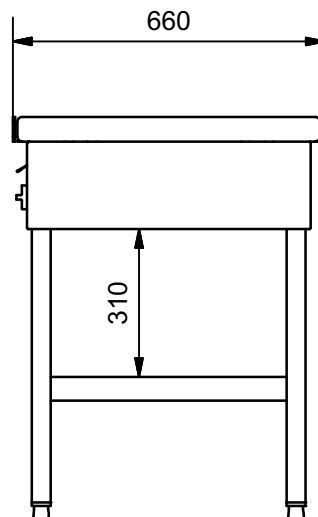
The simultaneity factor, which can be found in VDI 2052 is not taken into account.

Ingress protection class

IPX4

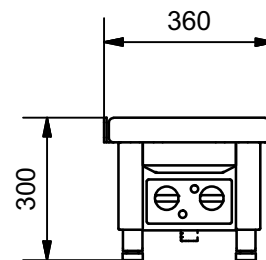
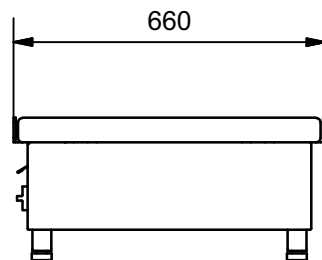
Dimensions of the product

MKM 1



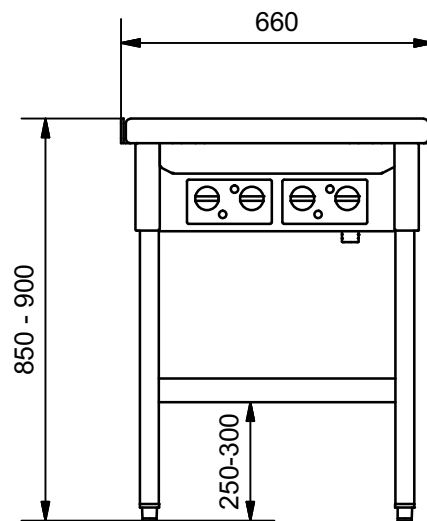
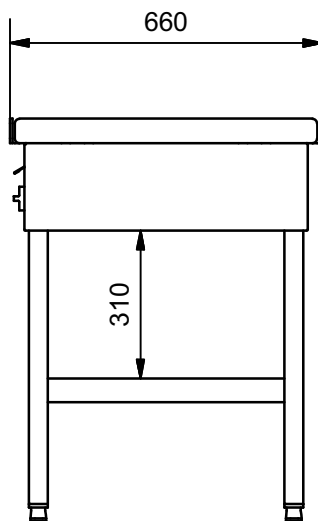
See under the paragraph 'Dimensions for installation' about requirements for space around the appliance.

MKM 1, 300mm



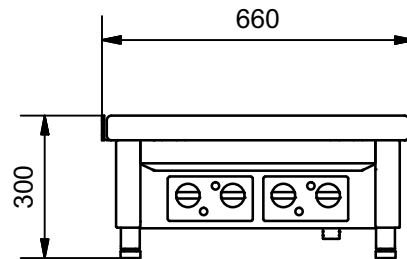
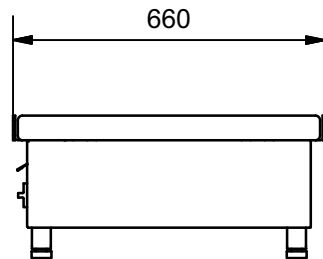
See under the paragraph 'Dimensions for installation' about requirements for space around the appliance.

MKM 2



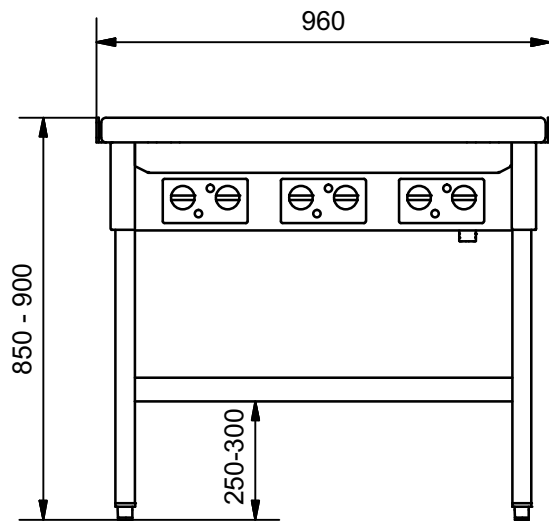
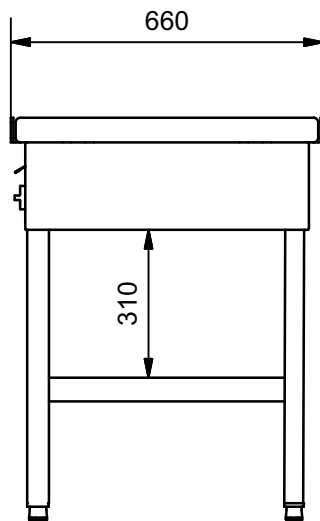
See under the paragraph 'Dimensions for installation' about requirements for space around the appliance.

MKM 2, 300mm



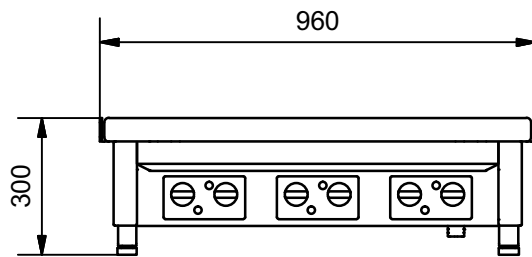
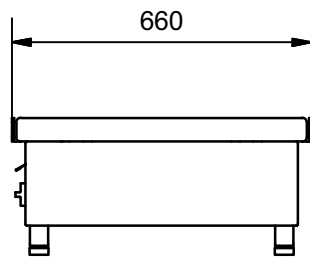
See under the paragraph 'Dimensions for installation' about requirements for space around the appliance.

MKM 3



See under the paragraph 'Dimensions for installation' about requirements for space around the appliance.

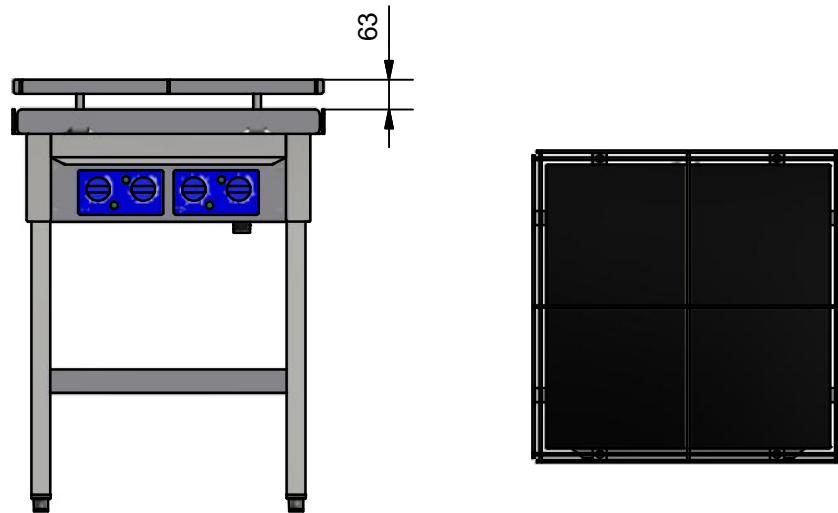
MKM 3, 300mm



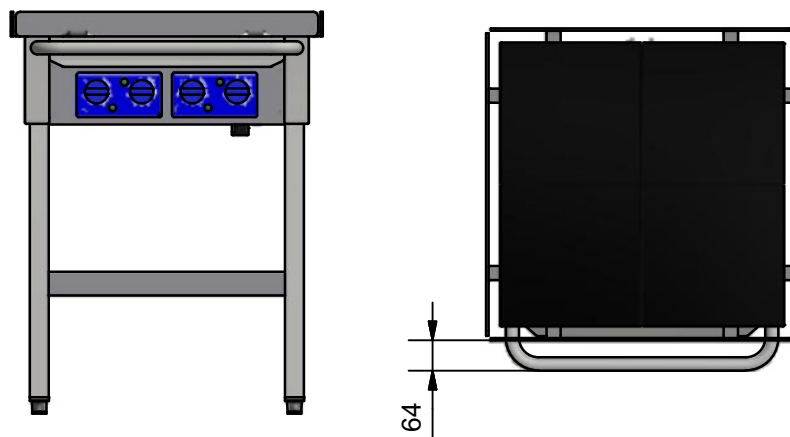
See under the paragraph 'Dimensions for installation' about requirements for space around the appliance.

Additional equipment

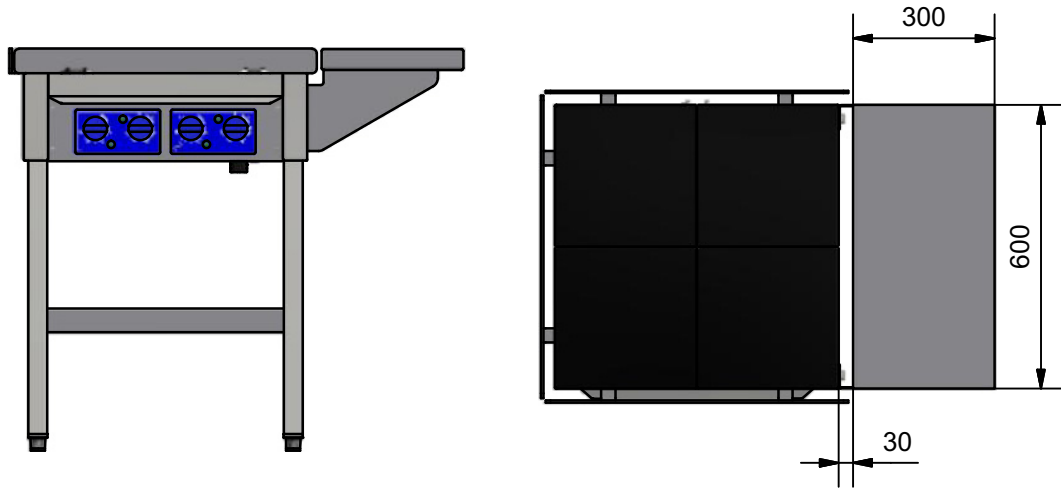
Fiddles



Hand rail

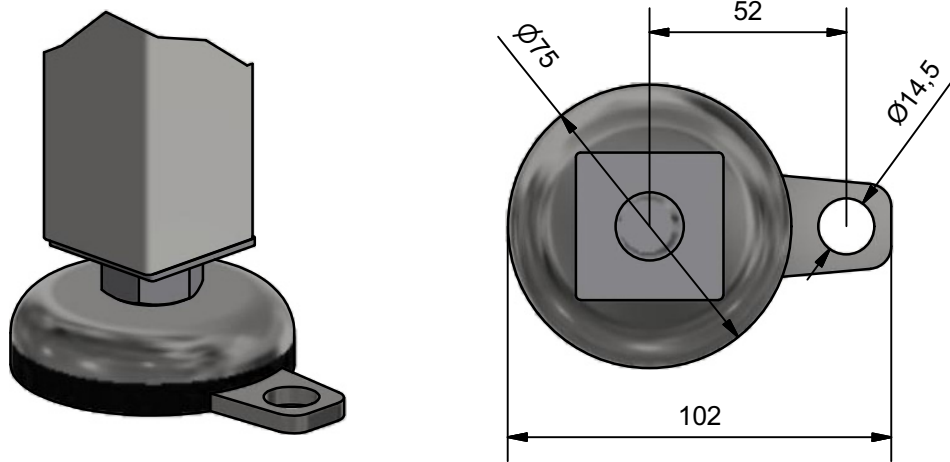


Side shelf



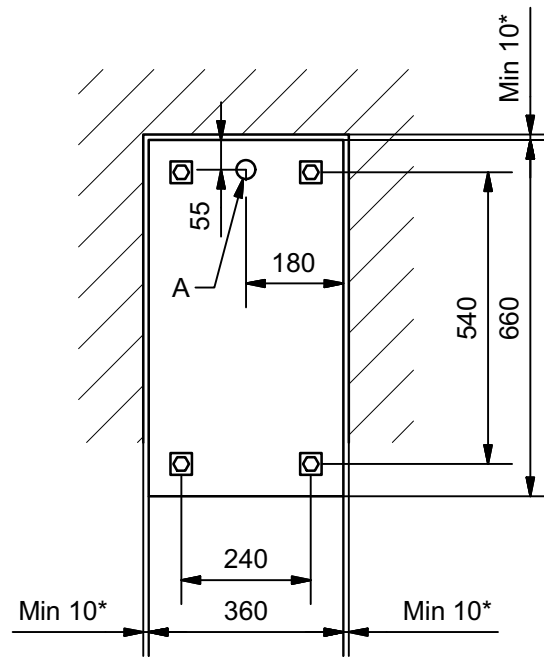
Ranges with two zones and a side shelf must be fixed to the floor.

Fixing to the floor



Dimensions for installation

MKM 1

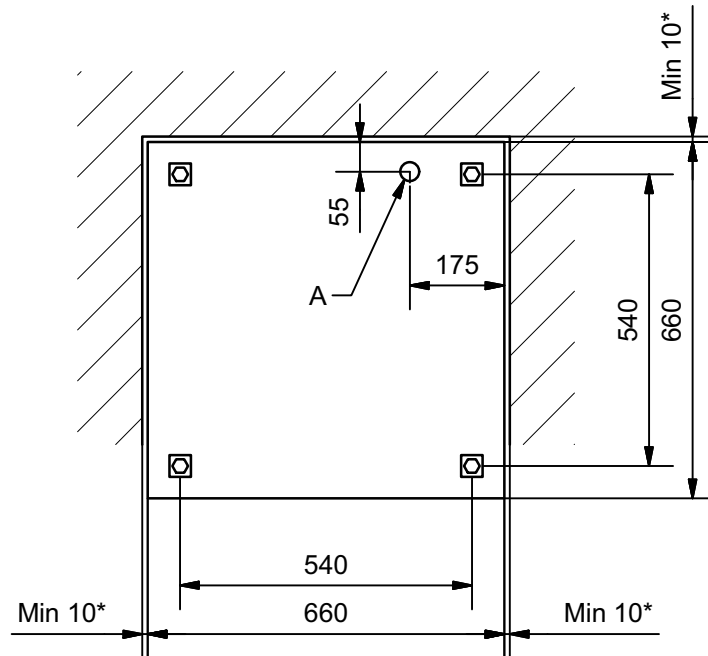


A: Minimum 800mm electrical cable over the floor.

* Minimum 100mm when placed next to inflammable materials.

For usage and service purposes a 800 mm minimum clearance is required at the front of the range.

MKM 2

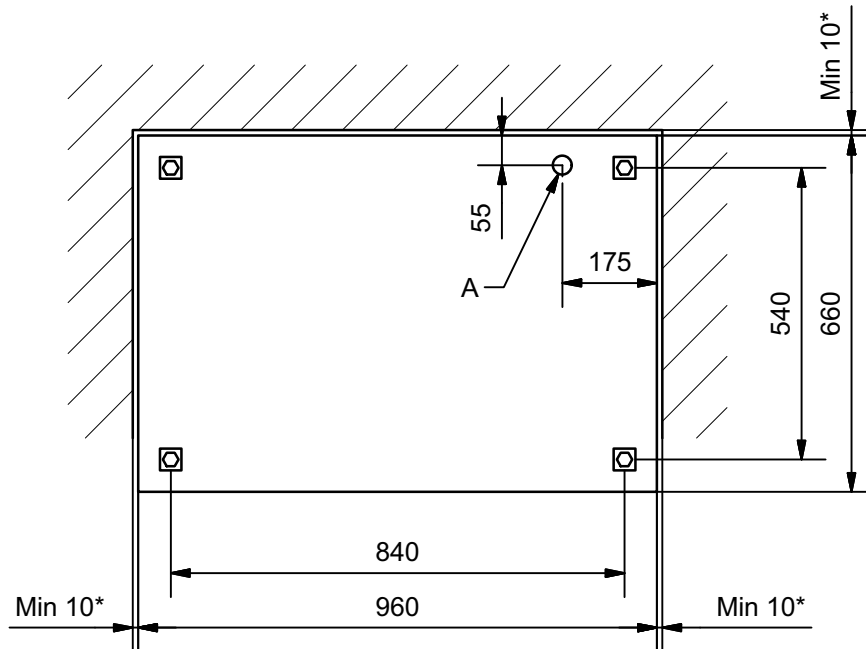


A: Minimum 800mm electrical cable over the floor.

* Minimum 100mm when placed next to inflammable materials.

For usage and service purposes a 800 mm minimum clearance is required at the front of the range.

MKM 3



A: Minimum 800mm electrical cable over the floor.

* Minimum 100mm when placed next to inflammable materials.

For usage and service purposes a 800 mm minimum clearance is required at the front of the range.